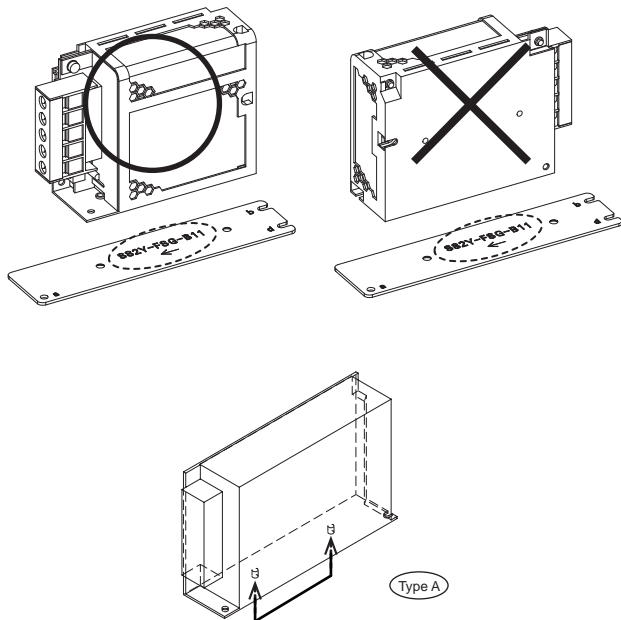


形 S8VM シリーズからの置き換え金具の取り付け方法  
(底面取り付け)

Mounting method of the bracket for replacement  
from model S8VM series  
(Bottom mounting)

OMRON

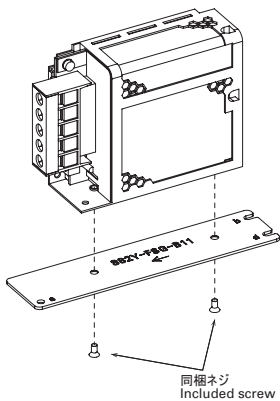


置き換え元機種 Model compatible with the source to be replaced		置き換え金具形式 Model of the bracket for replacement	使用取付穴 Mounting hole for use Type A
S8VM	S8VM-015 □□ +S82Y-VM10B	S82Y-FSG-B11	a/b/d
	S8VM-030 □□ +S82Y-VM10B		
	S8VM-050 □□ +S82Y-VM10B		
	S8VM-100 □□ +S82Y-VM20B	S82Y-FSG-B12	a/b/d
	S8VM-150 □□ +S82Y-VM20B		
	S8VM-300 □□ +S82Y-VM30B	S82Y-FSG-B13	a/d/f
	S8VM-300 □□ +S82Y-VM30S		b/e/g
S8VM-600 □□ +S82Y-VM60S	b/e/g		
S8VM-600 □□ +S82Y-VM60B	a/b/d		

推奨締め付けトルク  
Recommended tightening torque  
M3 : 0.54 N·m  
M4 : 1.2 N·m

Type A

①



②

